



## Solenoid Valve

FDF series solenoid valves are direct operated or pilot operated solenoid valves, mainly used in refrigerant control of various devices such as refrigerating and freezing systems, air conditioners and heat pumps.



### FEATURES

- COILS: LOW ENERGY CONSUMPTION, RELIABLE
- GREAT VALVE OPENING PERFORMANCE, HIGH MOPD

### GENERAL SPECIFICATIONS

- Applicable for all common HCFC, HFC refrigerants such as: R22, R134a, R404A, R407C, R410A, R507, R407A/F, R448A/R449A, R452A, R450A/R513A
- Medium temperature TS min./max.: -30°C / 120°C
- Ambient temperature min./max.: -30°C / +50°C
- Relative humidity: 0 to 95% RH

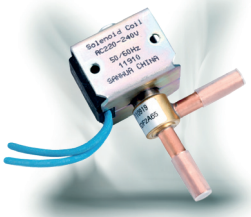
- Installation position:
  - Liquid, suction and discharge line
  - Coil upwards, coil axis  $\pm 15^\circ$  tolerance versus vertical axis
  - Flow direction corresponds to the arrow
- Certifications: UL/CSA\* and declaration according to LVD or PED

**Note:** 1) Flammable refrigerants like R32, R290 on request  
\*For FDF 3A 08 on request

### TECHNICAL PARAMETERS OF VALVE BODY

Model Valve Body	Part Number	Normal Position	Actuation	Ø Seat	Kv	MOP	Max. OPD	Min. OPD	Ød OD	Ød OD	Measurement [mm]		
				[mm]							[m³/h]	[MPa]	[MPa]
FDF 2A 94	FDF-06001	NC	Direct	1,9	0,08	4,5	3,4	0	6,35	1/4	66,5	32	34
FDF 2.5A 08	FDF-06002			2,5	0,21		2,1	6,35	1/4	85	37,5	38	
FDF 3A 08	FDF-06003			2,7	0,26		3,4	7,94	5/16	81	34,5	35,5	
FDF 4A 10	FDF-06004		Pilot	4,0	0,30		3,4	6,35	1/4	81	35	38	
FDF 6A 58	FDF-06005			5,8	0,56		3,4	7,94	5/16	81	34,5	35,5	
FDF 8A 21	FDF-06006			8,0	1,29		12,7	1/2	114	61	61		
FDF 11A 16	FDF-06007			11	2,40		2,8	12,7	1/2	114	61	61	
FDF 13A 12	FDF-06008			13	3,44		15,88	5/8	114	61	61		

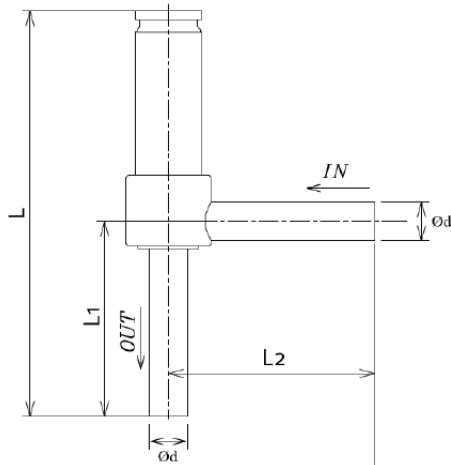




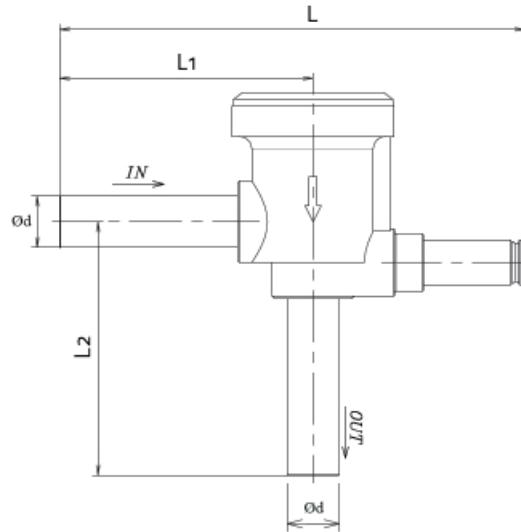
# SANHUA FDF (NC) SERIES Solenoid Valve

## DIMENSIONS - VALVE BODY

FDF 2A ... FDF 6A



FDF 8A ... FDF 13A



## TECNHICAL PARAMETERS OF COIL

Model Coil	Part Number	Rated Voltage [V]	Supply	Power <sup>1)</sup> [W]	Freq. [Hz]	Voltage Tolerance	Insulation Class	Wiring type
FQ-A05 024-000709	FQA-55001	24	AC	5 (50Hz) 4,5 (60Hz)	50/60	-15% +10%	B	flying leads
FQ-A05 120-001098	FQA-55002	110 to 120		5 (50Hz) 4,5 (60Hz)				
FQ-A05 22G-001022	FQA-55003	220 to 240		5 (50Hz) 4,5 (60Hz)				

### Note:

1) Power consumption based on 220V

## DIMENSIONS - COIL

FQA-55001 ... FQA-55003

