



Thermostatic Expansion Valve

RFGB series thermostatic expansion valve are used to adjust supply volume of refrigerant in the evaporator which can provide injection of various refrigerants under all working conditions. They can also meet the requirements of freezers, ice makers, dehumidifiers as well as refrigerating systems and air conditioners in various vaporizing temperature ranges.



FEATURES

- COMPACT STRUCTURE
- THERMAL BULB UTILIZES CROSS INJECTION TECHNOLOGY, AND THE WHOLE VAPORIZING TEMPERATURE RANGE SHARE THE SAME SUPERHEAT DEGREE
- VALVES WITH MOP FUNCTION CAN BE PROVIDED TO PREVENT DAMAGES TO COMPRESSOR MOTOR CAUSED BY EXCESSIVE EVAPORATION PRESSURE
- WIDE VAPORIZING TEMPERATURE RANGE

GENERAL SPECIFICATIONS

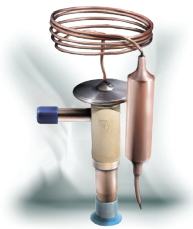
- Applicable refrigerant: R22, R290, R134a, R404A, R507 and R407C etc.
- Applicable medium temperature: -40°C~70°C or 60°C~70°C
- Applicable ambient temperature: -35°C~55°C
- Relative humidity: 0~100%RH
- Maximum working pressure: 3.5MPa

NOMINAL CAPACITY

No.	NominalCapacity US.R.T				NominalCapacity kW			
	R22	R407C	R404A/R507	R134a	R22	R407C	R404A/R507	R134a
1	0.35	0.38	0.25	0.22	1.2	1.3	0.9	0.8
2	0.7	0.76	0.5	0.44	2.5	2.7	1.8	1.5
3	1	1.1	0.7	0.63	3.5	3.9	2.5	2.2
4	1.5	1.6	1	0.94	5.3	5.6	3.5	3.3
5	2	2.2	1.4	1.3	7	7.7	4.9	4.6

Note: dNominal capacity is measured under nominal working condition: condensating temperature 38°C, refrigerant temperature before the valve 34°C, vaporizing temperature 5°C, static overheat 3.5°C, operating superheat 4°C.





SANHUA RFGB SERIES Thermostatic Expansion Valve

TECHNICAL PARAMETERS

Part Number Legend

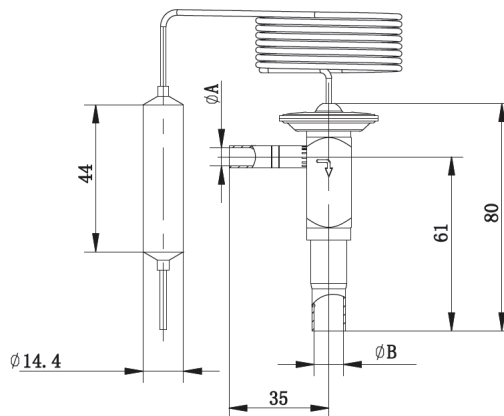
Refrigerant	Model	Pressure Equalization	Capillary Tubes Connection mm	Connection ^b				Vaporizing Temperature ^c	
				Inlet×Outlet		Equalization		-40°C~ +10°C	-40°C~ +10°C
				in	mm	in	mm		
R22	RFGB01	Internal Equalization	800 ^a	1/4×3/8 or 3/8×1/2	6×10 or 10×12	1/4	6	Without MOP	MOP +15°C
	RFGB01E	External Equalization							
R407C	RFGB02	Internal Equalization							
	RFGB02E	External Equalization							
R404A/R507	RFGB03	Internal Equalization							
	RFGB03E	External Equalization							
R134a	RFGB04	Internal Equalization							
	RFGB04E	External Equalization							

Note 1: a 800 is the recommended standard, which can be customized according to specific needs;

Note 2: b Inlet ends are conneted by solder;outlet and outer equalization ends can be connected by thread or solder;

Note 3: c The listed vaporizing temperature is the recommended standard, which can be customized according to specific needs;

DIMENSIONS



Inlet A		Outlet B	
mm	in	mm	in
6	1/4	10	3/8
10	3/8	12	1/2

